


A14.2603 Inverted Microscope





LWD Condenser N.A.0.3 Working
Distance 72mm, Up To 195mm Without

Standard Halogen 6V30W
Koehler Illumnation, 5W LED
Optional For Choice

LWD Infinity Plan Objectives 4x10x20x40x
& Phase Contrast Objective 4x10x20x40x

A14.2603

Inverted Microscope CNOPTEC Series



Seidentopf Trinocular Head
Light Split Switch E100 : P0 / E20 : P80



72mm Working Distance, Can Place Higher Observed Sample Containers



A14.2603 Inverted Biological Microscope, With Transmit Light, is a kind of microscope whose objective is under the stage. The special design is for observing and operating specimen more convenient, especially for specimen of height. It's stage is mechanical stage, size 210x241mm, the round slide size is dia.118mm, with attachable mechanical stage for 96 holes plate, moving range 128x80mm. The illumination is transmit light, Koehler illumination halogen 6V30W.

Specification

Items	A14.2603 Inverted Biological Microscop	A14.2603	A14.2603-TR	Cata. No.
Head	Seidentopf Trinocular Head Inclined 45°, Interpupillary Distance 48~76mm, Light Split Switch E100:P0 / E20:P80			A53.2643
Eyepiece	WF10x/22mm, Dia.30mm, High Eyepoint,, Diopter Adjustable			A51.2621-1022
Nosepiece	Quintuple			A54.2610-N925
LWD Infinity Plan Semi-APO Objectives Newly Update 2021	L Plan FL 10x/0.25 W.D.=10.3mm			A5F.2635-10
	L Plan FL 20x/0.45 W.D.=5.8mm			A5F.2635-20
	L Plan FL 40x/0.65 W.D.=5.1mm			A5F.2635-40
LWD Infinity Plan Phase Contrast Semi-APO Objectives Newly Update 2021	L Plan FL PHP 20x/0.45 W.D.=5.8mm			A5C.2635-20
Phase Contrast	Annular Spot 20x/ 40x			A5C.2611-10
	Annular Spot 10x			A5C.2611-20/40
Working Stage	Mechanical Stage Size 210x241mm, Round Slide Size Φ110mm			A54.2601-D4
	Culture Dish Holder 54mm			A54.2606-54
Condenser	Long Working Distance, Quickly Detachable, N.A.0.3, Working Distance 72mm (With Condenser), 195mm (Without Condenser).			A56.2614-D4
Tranmist Illumination	Koehler Illumination Halogen 6V/30W, Input Voltage 100V~240V	●	○	A56.2613-6V30W
	Koehler Illumination 5W LED, Powered By Safety Low Voltage Charger, Input Wide Voltage 100V-240V, Output 5V1A, Support Power Bank Supply For Outdoor Use	○	●	A56.2651-5W
Reflect Illumination	Koehler Illumination 5W LED, Powered By Safety Low Voltage Charger, Input Wide Voltage 100V-240V, Output 5V1A, Support Power Bank Supply For Outdoor Use	○	●	
	Polarizing Set		●	
Filter	Blue, Dia.34mm			A56.2616-34B
	Green, Dia.34mm			A56.2616-34G
Package	Packing Size: 660mmx590mmx325mm			
Weight	Gross Weight: 18 kgs, Net Weight: 13.5 kgs			

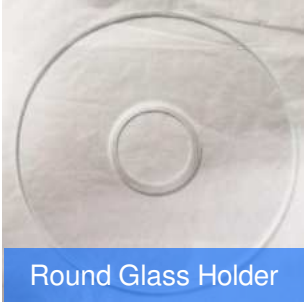
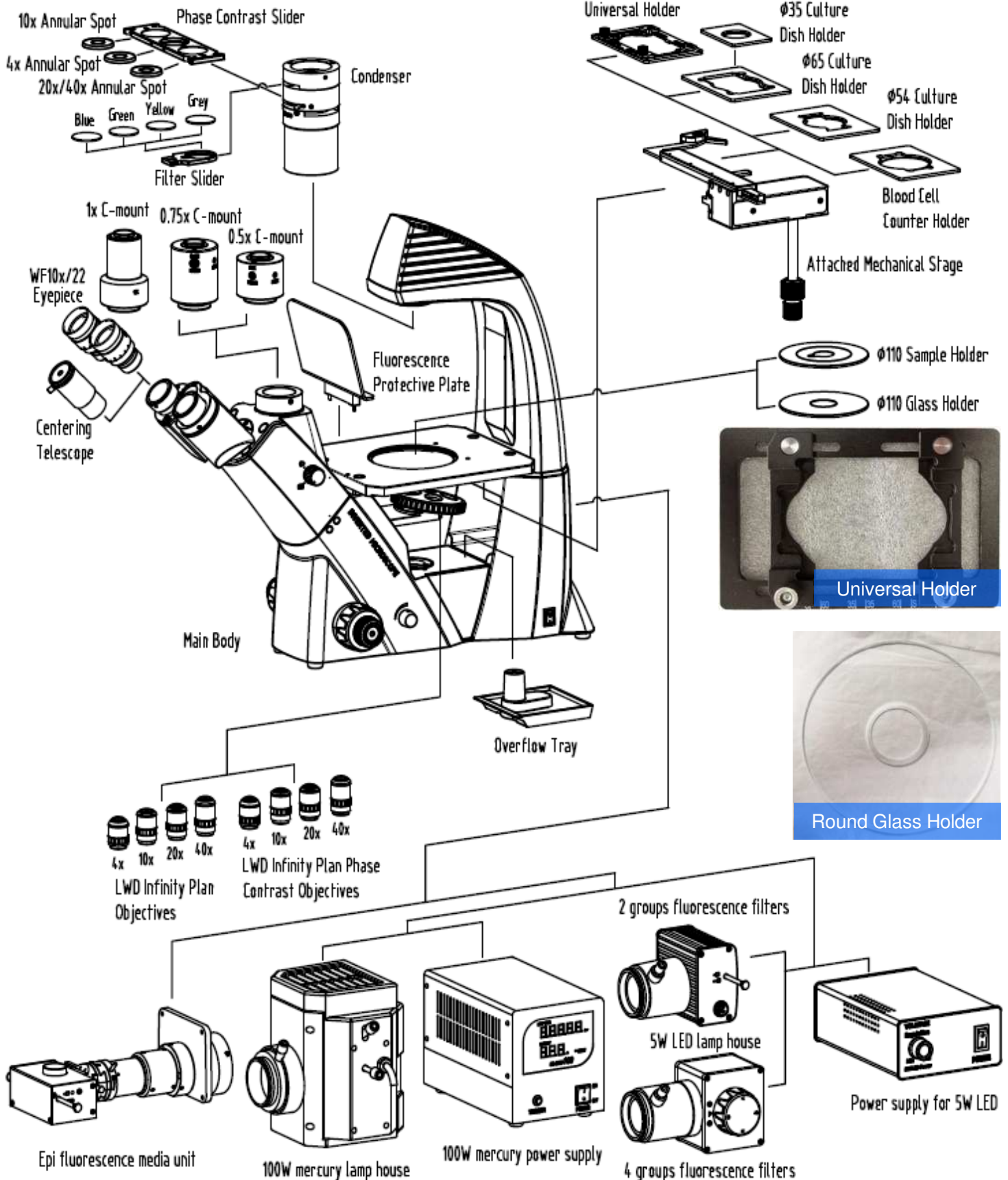
Note: "●" In Table Is Standard outfits, "○" Is Optional Accessories.

4/7





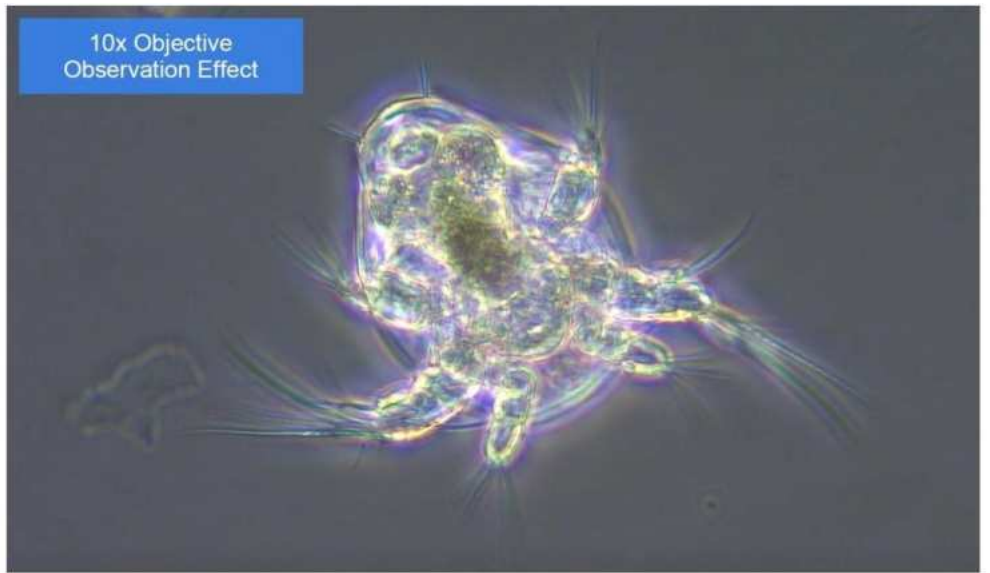
■ A14.2603 Inverted Biological Microscope General Layout Diagram



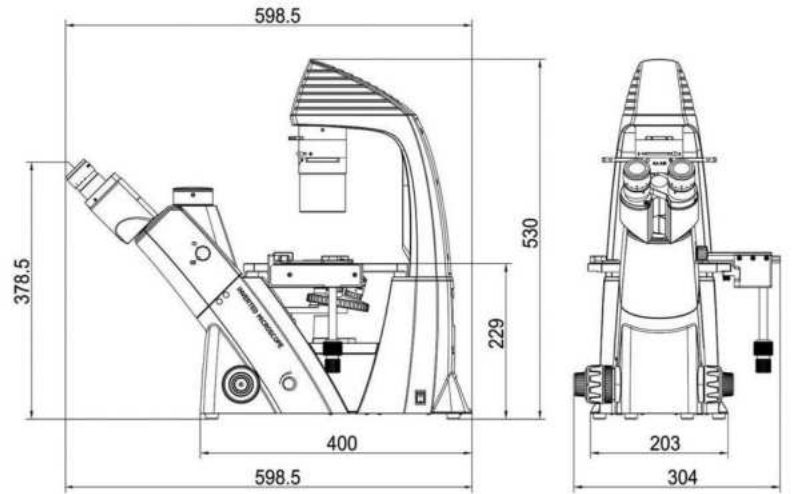
Parasite In The Water

Wide Range Of Applications

A14.2603 Inverted microscope is particularly suitable for living cells and tissues, fluids, sediments and other microscopic research. It is the ideal instrument for biology, cytology, oncology, genetics, immunology and other research work. Inverted microscope is widely used in scientific research, universities, medical, epidemic prevention and agriculture and animal husbandry and other departments.



■ A14.2603 Inverted Biological Microscope Size(mm)



A14.2603 Upgrade To Transmit & Reflect Model Or Fluorescent Microscope

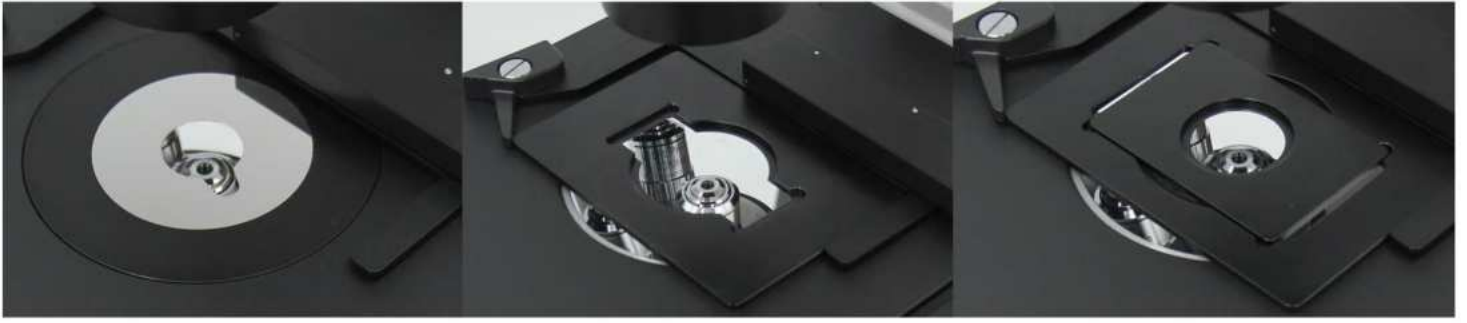


A14.2603-TR
Inverted Microscope With Transmit & Reflect Light Source



A16.2614
Inverted Fluorescence Microscope

■ A14.2603 Inverted Biological Microscope Accessories



A54.2601-D4
Mechanical Stage Size 210x241mm
Round Slide Size Φ 110mm

A54.2606-54
Culture Dish Holder 54mm

A54.2606-65 & A54.2606-35
Culture Dish Holder 65mm
& Culture Dish Holder 35mm
(Optional)



A51.2621-1022
WF10x/22mm

A51.2621-1516
WF15x/16mm

A51.2621-2012
WF20x/12mm

A52.2609 LWD Infinity Plan Objective: LPL10x/0.25
WD=8.3mm; LPL20x/0.40 WD=7.2mm; LPL40x/0.60WD=3.4mm
A5C.2630 LWD Infinity Plan
Phase Contrast Objective: 20x/0.40 WD=7.2mm



A5C.2610 Centering Telescope 11x (Optional)
& A5C.2611 Annular Spot 10x/20x/40x

A56.2660 ECO
Auto Power Off System
(Optional)



A56.2614-D4
Long Working Distance
Quickly Detachable
N.A.0.3 Condenser

A55.2601 (Optional)
C-Mount 0.5x, C-Mount 0.75x
C-Mount 1.0x
Focus Adjustable

A56.2616
Filter: Blue, Green;
Amber; Grey (Optional)